

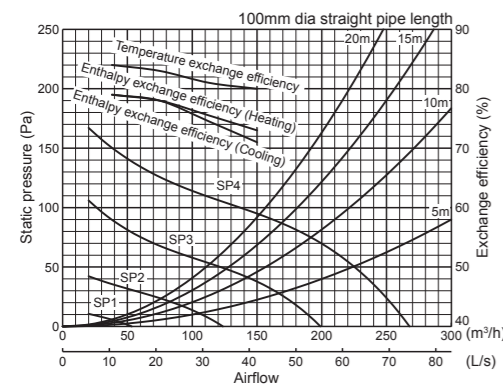
# LGH-RVX SERIES

## Specifications

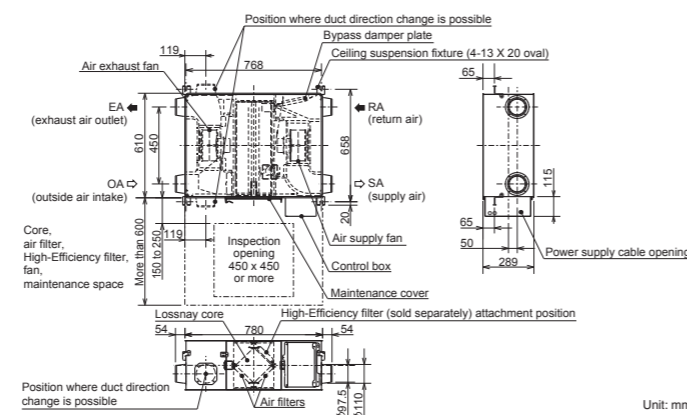
### LGH-15RVX-E

Electrical power supply	220-240V/50Hz, 220V/60Hz								
	Heat recovery mode				Bypass mode				
Ventilation mode									
Fan speed	SP4	SP3	SP2	SP1	SP4	SP3	SP2	SP1	
Running current (A)	0.40	0.24	0.15	0.10	0.41	0.25	0.15	0.10	
Input power (W)	49	28	14	7	52	28	14	8	
Airflow	(m <sup>3</sup> /h)	150	113	75	38	150	113	75	38
	(L/s)	42	31	21	10	42	31	21	10
External static pressure (Pa)	95	54	24	6	95	54	24	6	
Temperature exchange efficiency (%)	80	81	83	84	-	-	-	-	
Enthalpy exchange efficiency (%)	Heating	73	75.5	78	79	-	-	-	
	Cooling	71	74.5	78	79	-	-	-	
Noise (dB) (Measured at 1.5m under the center of the unit in an anechoic chamber)	28	24	19	17	29	24	19	18	
Weight (kg)	20								
Specific energy consumption class	A								

### Characteristic Curves



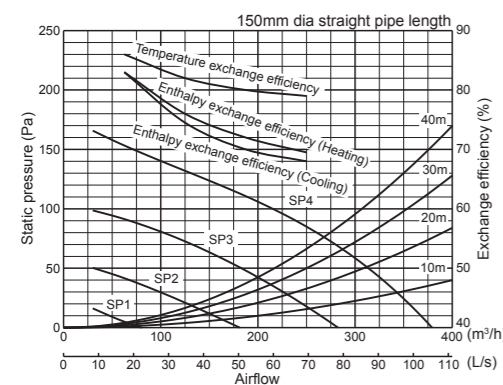
### Dimensions



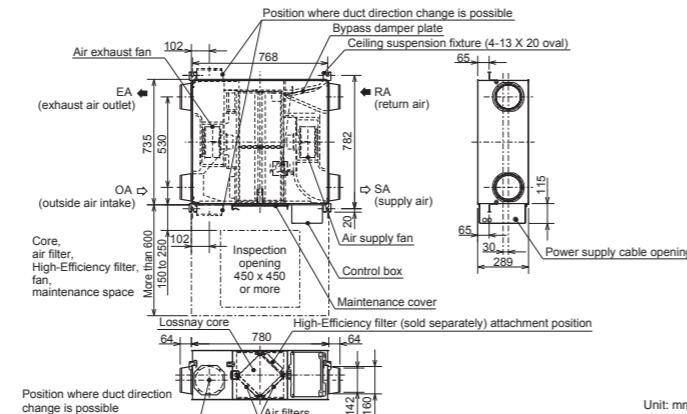
### LGH-25RVX-E

Electrical power supply	220-240V/50Hz, 220V/60Hz								
	Heat recovery mode				Bypass mode				
Ventilation mode									
Fan speed	SP4	SP3	SP2	SP1	SP4	SP3	SP2	SP1	
Running current (A)	0.48	0.28	0.16	0.10	0.48	0.29	0.16	0.11	
Input power (W)	62	33	16	7.5	63	35	17	9	
Airflow	(m <sup>3</sup> /h)	250	188	125	63	250	188	125	63
	(L/s)	69	52	35	17	69	52	35	17
External static pressure (Pa)	85	48	21	5	85	48	21	5	
Temperature exchange efficiency (%)	79	80	82	86	-	-	-	-	
Enthalpy exchange efficiency (%)	Heating	69.5	72	76	83	-	-	-	
	Cooling	68	70	74.5	83	-	-	-	
Noise (dB) (Measured at 1.5m under the center of the unit in an anechoic chamber)	27	22	20	17	27.5	23	20	17	
Weight (kg)	23								
Specific energy consumption class	A								

### Characteristic Curves



### Dimensions



■ For LGH-RVX and LGH-RVXT series

\*The running current, the input power, the efficiency and the noise are based on the rated airflow, 230V/50Hz, and 220V/60Hz.

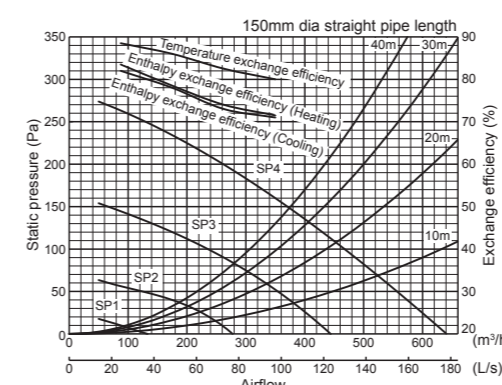
\*Figures in the chart is measured according to Japan Industrial Standard (JIS B 8628). Characteristic Curves are measured by chamber method.

\*For specifications at other frequencies, contact your dealer.

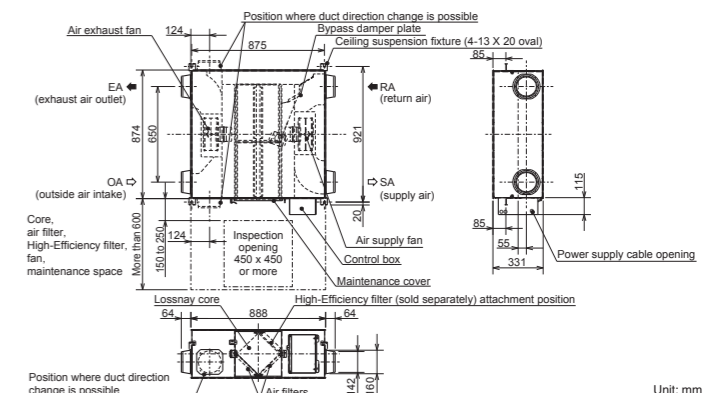
### LGH-35RVX-E

Electrical power supply	220-240V/50Hz, 220V/60Hz								
	Heat recovery mode				Bypass mode				
Ventilation mode									
Fan speed	SP4	SP3	SP2	SP1	SP4	SP3	SP2	SP1	
Running current (A)	0.98	0.54	0.26	0.12	0.98	0.56	0.28	0.13	
Input power (W)	140	70	31	11	145	72	35	13	
Airflow	(m <sup>3</sup> /h)	350	263	175	88	350	263	175	88
	(L/s)	97	73	49	24	97	73	49	24
External static pressure (Pa)	160	90	40	10	160	90	40	10	
Temperature exchange efficiency (%)	80	82.5	86	88.5	-	-	-	-	
Enthalpy exchange efficiency (%)	Heating	71.5	74	78.5	83.5	-	-	-	
	Cooling	71	73	78	82	-	-	-	
Noise (dB) (Measured at 1.5m under the center of the unit in an anechoic chamber)	32	28	20	17	32.5	28	20	18	
Weight (kg)	30								

### Characteristic Curves



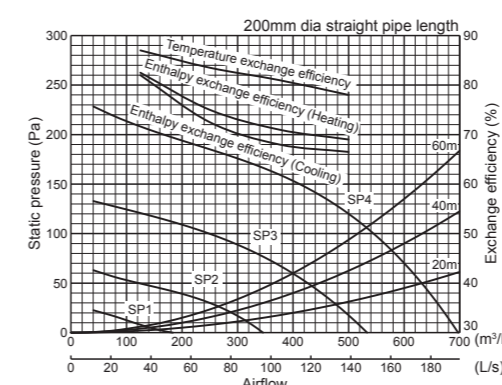
### Dimensions



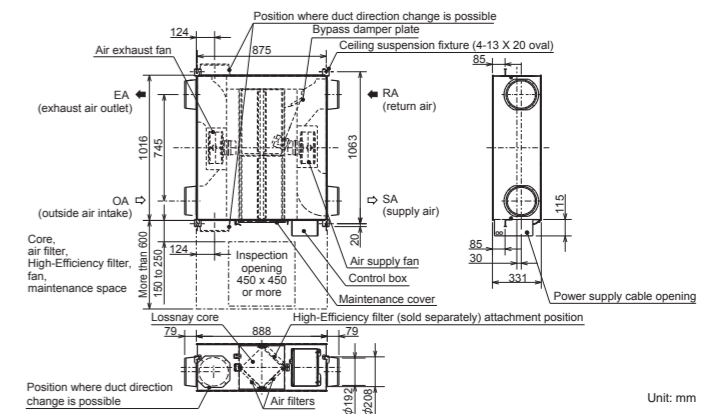
### LGH-50RVX-E

Electrical power supply	220-240V/50Hz, 220V/60Hz								
	Heat recovery mode				Bypass mode				
Ventilation mode									
Fan speed	SP4	SP3	SP2	SP1	SP4	SP3	SP2	SP1	
Running current (A)	1.15	0.59	0.26	0.13	1.15	0.59	0.27	0.13	
Input power (W)	165	78	32	12	173	81	35	14	
Airflow	(m <sup>3</sup> /h)	500	375	250	125	500	375	250	125
	(L/s)	139	104	69	35	139	104	69	35
External static pressure (Pa)	120	68	30	8	120	68	30	8	
Temperature exchange efficiency (%)	78	81	83.5	87	-	-	-	-	
Enthalpy exchange efficiency (%)	Heating	69	71	75	82.5	-	-	-	
	Cooling	66.5	68	72.5	82	-	-	-	
Noise (dB) (Measured at 1.5m under the center of the unit in an anechoic chamber)	34	28	19	18	35	29	20	18	
Weight (kg)	33								

### Characteristic Curves



### Dimensions



■ For LGH-RVX and LGH-RVXT series

\*The running current, the input power, the efficiency and the noise are based on the rated airflow, 230V/50Hz, and 220V/60Hz.

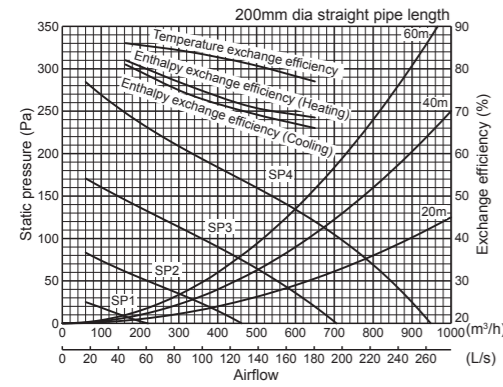
\*Figures in the chart is measured according to Japan Industrial Standard (JIS B 8628). Characteristic Curves are measured by chamber method.

\*For specifications at other frequencies, contact your dealer.

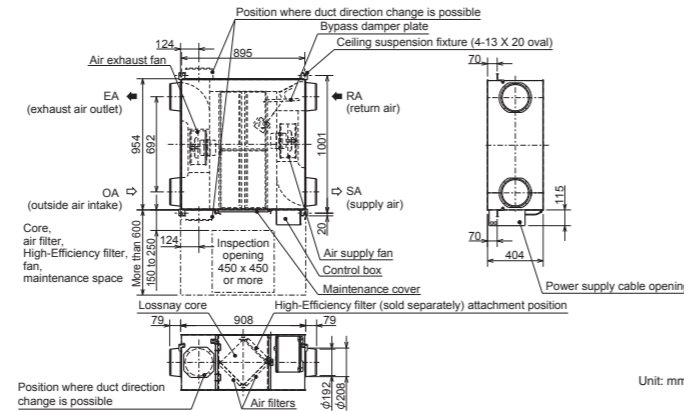
### LGH-65RVX-E

Electrical power supply		220-240V/50Hz, 220V/60Hz							
Ventilation mode		Heat recovery mode				Bypass mode			
Fan speed		SP4	SP3	SP2	SP1	SP4	SP3	SP2	SP1
Running current (A)		1.65	0.90	0.39	0.15	1.72	0.86	0.38	0.16
Input power (W)		252	131	49	15	262	131	47	17
Airflow		(m <sup>3</sup> /h)		(L/s)		(m <sup>3</sup> /h)		(L/s)	
		650	488	325	163	650	488	325	163
		181	135	90	45	181	135	90	45
External static pressure (Pa)		120	68	30	8	120	68	30	8
Temperature exchange efficiency (%)		77	81	84	86	-	-	-	-
Enthalpy exchange efficiency (%)		Heating		Cooling		Heating		Cooling	
		68.5	71	76	82	-	-	-	-
		66	69.5	74	81	-	-	-	-
Noise (dB) (Measured at 1.5m under the center of the unit in an anechoic chamber)		34.5	29	22	18	35.5	29	22	18
Weight (kg)		38							

### Characteristic Curves



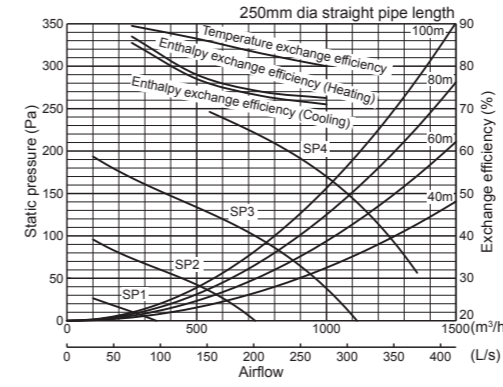
### Dimensions



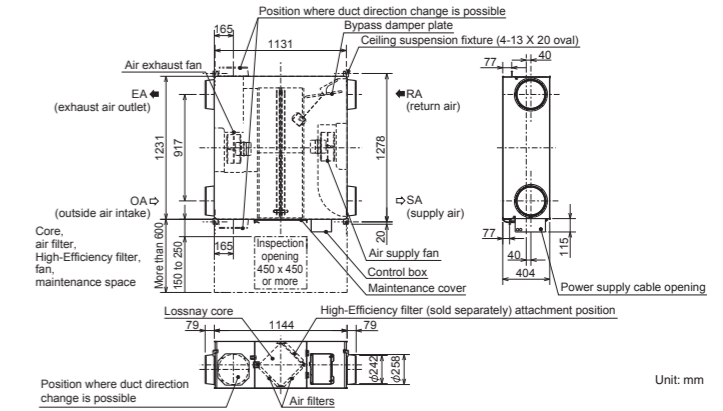
### LGH-100RVX-E

Electrical power supply		220-240V/50Hz, 220V/60Hz							
Ventilation mode		Heat recovery mode				Bypass mode			
Fan speed		SP4	SP3	SP2	SP1	SP4	SP3	SP2	SP1
Running current (A)		2.50	1.20	0.50	0.17	2.50	1.20	0.51	0.19
Input power (W)		420	200	75	21	420	200	75	23
Airflow		(m <sup>3</sup> /h)		(L/s)		(m <sup>3</sup> /h)		(L/s)	
		1000	750	500	250	1000	750	500	250
		278	208	139	69	278	208	139	69
External static pressure (Pa)		170	96	43	11	170	96	43	11
Temperature exchange efficiency (%)		80	83	86.5	89.5	-	-	-	-
Enthalpy exchange efficiency (%)		Heating		Cooling		Heating		Cooling	
		72.5	74	78	87	-	-	-	-
		71	73	77	85.5	-	-	-	-
Noise (dB) (Measured at 1.5m under the center of the unit in an anechoic chamber)		37	31	23	18	38	32	24	18
Weight (kg)		54							

### Characteristic Curves



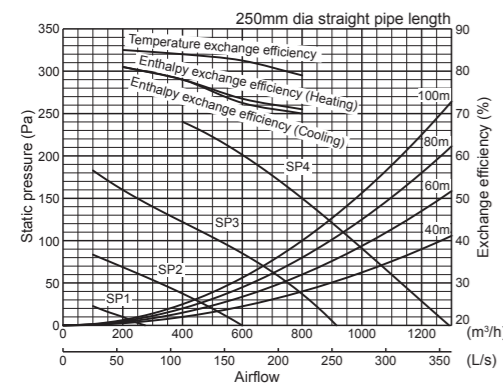
### Dimensions



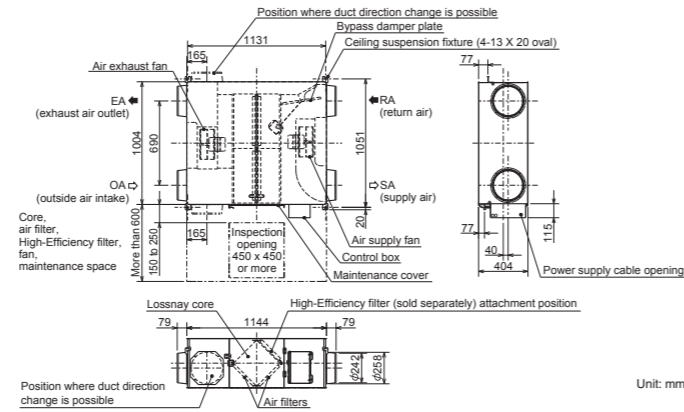
### LGH-80RVX-E

Electrical power supply		220-240V/50Hz, 220V/60Hz							
Ventilation mode		Heat recovery mode				Bypass mode			
Fan speed		SP4	SP3	SP2	SP1	SP4	SP3	SP2	SP1
Running current (A)		1.82	0.83	0.36	0.15	1.97	0.86	0.40	0.15
Input power (W)		335	151	60	18	340	151	64	20
Airflow		(m <sup>3</sup> /h)		(L/s)		(m <sup>3</sup> /h)		(L/s)	
		800	600	400	200	800	600	400	200
		222	167	111	56	222	167	111	56
External static pressure (Pa)		150	85	38	10	150	85	38	10
Temperature exchange efficiency (%)		79	82.5	84	85	-	-	-	-
Enthalpy exchange efficiency (%)		Heating		Cooling		Heating		Cooling	
		71	73.5	78	81	-	-	-	-
		70	72.5	78	81	-	-	-	-
Noise (dB) (Measured at 1.5m under the center of the unit in an anechoic chamber)		34.5	30	23	18	36	30	23	18
Weight (kg)		48							

### Characteristic Curves



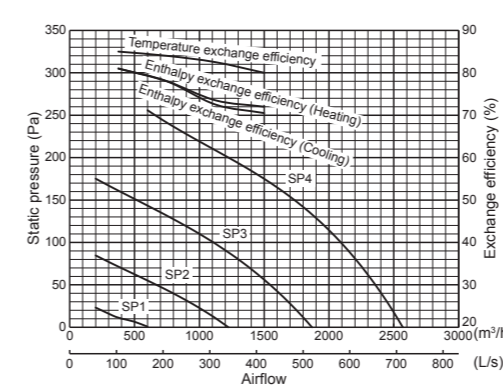
### Dimensions



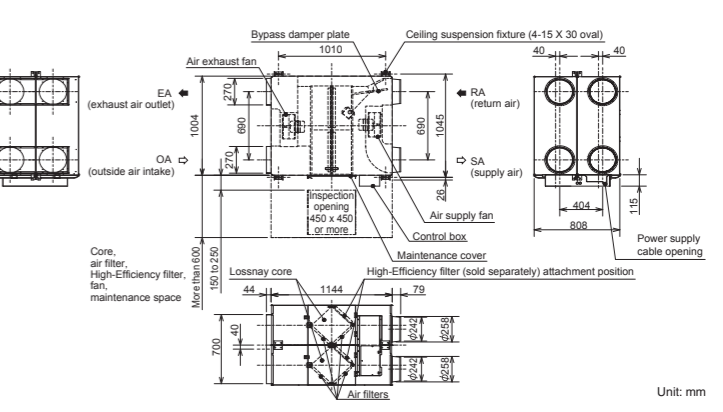
### LGH-150RVX-E

Electrical power supply		220-240V/50Hz, 220V/60Hz							
Ventilation mode		Heat recovery mode				Bypass mode			
Fan speed		SP4	SP3	SP2	SP1	SP4	SP3	SP2	SP1
Running current (A)		3.71	1.75	0.70	0.29	3.85	1.78	0.78	0.30
Input power (W)		670	311	123	38	698	311	124	44
Airflow		(m <sup>3</sup> /h)		(L/s)		(m <sup>3</sup> /h)		(L/s)	
		1500	1125	750	375	1500	1125	750	375
		417	313	208	104	417	313	208	104
External static pressure (Pa)		175	98	44	11	175	98	44	11
Temperature exchange efficiency (%)		80	82.5	84	85	-	-	-	-
Enthalpy exchange efficiency (%)		Heating		Cooling		Heating		Cooling	
		72	73.5	78	81	-	-	-	-
		70.5	72.5	78	81	-	-	-	-
Noise (dB) (Measured at 1.5m under the center of the unit in an anechoic chamber)		39	32	24	18	40.5	33	26	18
Weight (kg)		98							

### Characteristic Curves



### Dimensions



■ For LGH-RVX and LGH-RVXT series

\* The running current, the input power, the efficiency and the noise are based on the rated airflow, 230V/50Hz, and 220V/60Hz.

\* Figures in the chart is measured according to Japan Industrial Standard (JIS B 8628). Characteristic Curves are measured by chamber method.

\* For specifications at other frequencies, contact your dealer.

■ For LGH-RVX and LGH-RVXT series

\* The running current, the input power, the efficiency and the noise are based on the rated airflow, 230V/50Hz, and 220V/60Hz.

\* Figures in the chart is measured according to Japan Industrial Standard (JIS B 8628). Characteristic Curves are measured by chamber method.

\* For specifications at other frequencies, contact your dealer.

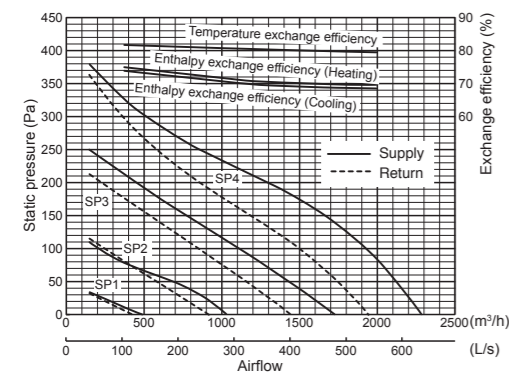
# LGH-RVXT SERIES

## Specifications

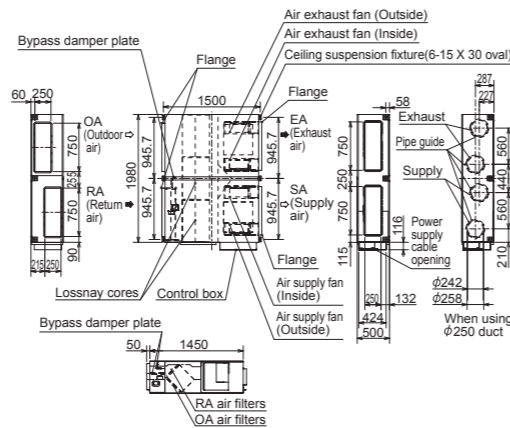
### LGH-150RVXT-E

Electrical power supply		220-240V/50Hz, 220V/60Hz							
Ventilation mode		Heat recovery mode				Bypass mode			
Fan speed		SP4	SP3	SP2	SP1	SP4	SP3	SP2	SP1
Running current (A)		4.30	2.40	1.10	0.36	3.40	1.80	0.77	0.31
Input power (W)		792	421	176	48	625	334	134	37
Airflow	(m <sup>3</sup> /h)	1500	1125	750	375	1500	1125	750	375
	(L/s)	417	313	208	104	417	313	208	104
External static pressure (Pa)	Supply	175	98	44	11	175	98	44	11
	Return	100	56	25	6	100	56	25	6
Temperature exchange efficiency (%)		80	80.5	81	81.5	-	-	-	-
Enthalpy exchange efficiency (%)	Heating	70	71	73	75	-	-	-	-
	Cooling	69	70	72	74	-	-	-	-
Noise (dB) (Measured at 1.5m under the center of the unit in an anechoic chamber)		39.5	35.5	29.5	22	39	33	26.5	20.5
Weight (kg)		156							

### Characteristic Curves



### Dimensions

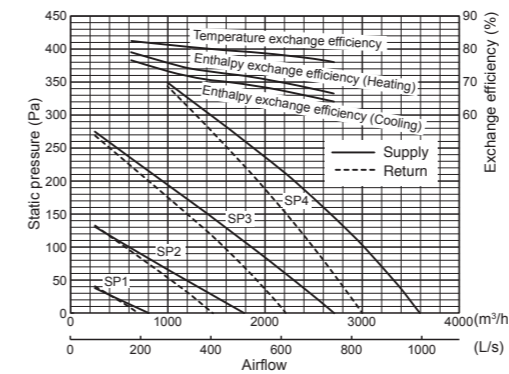


Unit: mm

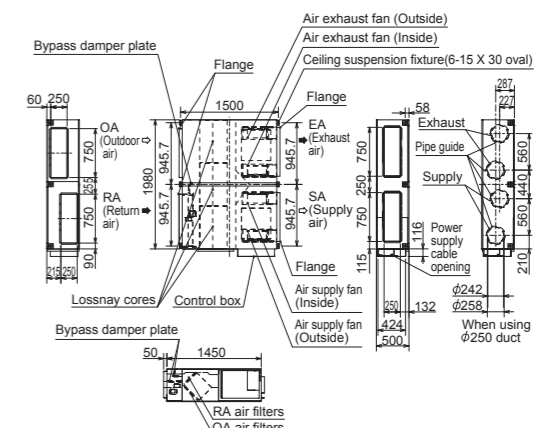
### LGH-250RVXT-E

Electrical power supply		220-240V/50Hz, 220V/60Hz							
Ventilation mode		Heat recovery mode				Bypass mode			
Fan speed		SP4	SP3	SP2	SP1	SP4	SP3	SP2	SP1
Running current (A)		7.60	3.60	1.40	0.57	6.90	3.10	1.30	0.49
Input power (W)		1446	687	244	82	1298	587	212	69
Airflow	(m <sup>3</sup> /h)	2500	1875	1250	625	2500	1875	1250	625
	(L/s)	694	521	347	174	694	521	347	174
External static pressure (Pa)	Supply	175	98	44	11	175	98	44	11
	Return	100	56	25	6	100	56	25	6
Temperature exchange efficiency (%)		77	79	80.5	82.5	-	-	-	-
Enthalpy exchange efficiency (%)	Heating	68	71.5	74	79	-	-	-	-
	Cooling	65.5	69	71.5	76.5	-	-	-	-
Noise (dB) (Measured at 1.5m under the center of the unit in an anechoic chamber)		43	39	32	24	44	38.5	31	22.5
Weight (kg)		198							

### Characteristic Curves



### Dimensions

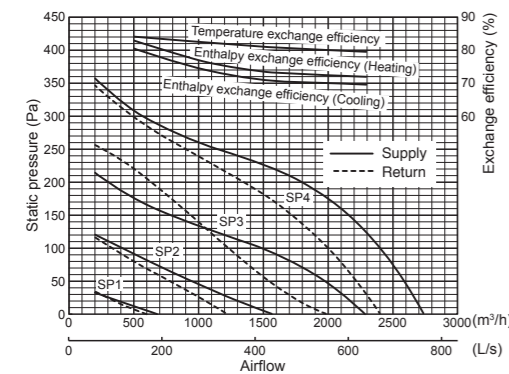


Unit: mm

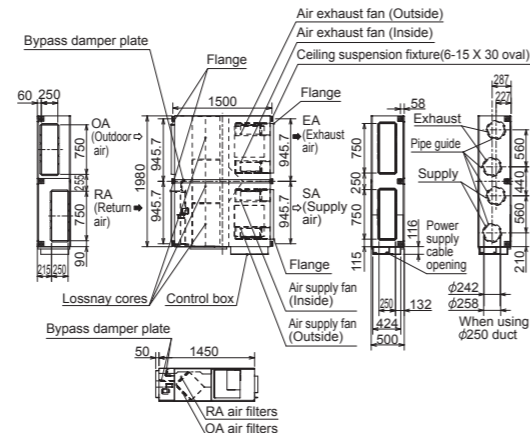
### LGH-200RVXT-E

Electrical power supply		220-240V/50Hz, 220V/60Hz							
Ventilation mode		Heat recovery mode				Bypass mode			
Fan speed		SP4	SP3	SP2	SP1	SP4	SP3	SP2	SP1
Running current (A)		5.40	2.70	1.10	0.39	5.00	2.20	0.85	0.34
Input power (W)		1000	494	197	56	916	407	150	45
Airflow	(m <sup>3</sup> /h)	2000	1500	1000	500	2000	1500	1000	500
	(L/s)	556	417	278	139	556	417	278	139
External static pressure (Pa)	Supply	175	98	44	11	175	98	44	11
	Return	100	56	25	6	100	56	25	6
Temperature exchange efficiency (%)		80	81	82.5	84	-	-	-	-
Enthalpy exchange efficiency (%)	Heating	72.5	73.5	77	83	-	-	-	-
	Cooling	70	71	74.5	80.5	-	-	-	-
Noise (dB) (Measured at 1.5m under the center of the unit in an anechoic chamber)		39.5	35.5	28	22	40.5	34.5	27	20.5
Weight (kg)		159							

### Characteristic Curves



### Dimensions



Unit: mm

■ For LGH-RVX and LGH-RVXT series

\*The running current, the input power, the efficiency and the noise are based on the rated airflow, 230V/50Hz, and 220V/60Hz.

\*Figures in the chart is measured according to Japan Industrial Standard (JIS B 8628). Characteristic Curves are measured by chamber method.

\*For specifications at other frequencies, contact your dealer.

■ For LGH-RVX and LGH-RVXT series

\*The running current, the input power, the efficiency and the noise are based on the rated airflow, 230V/50Hz, and 220V/60Hz.

\*Figures in the chart is measured according to Japan Industrial Standard (JIS B 8628). Characteristic Curves are measured by chamber method.

\*For specifications at other frequencies, contact your dealer.