

VL-CZPVU SERIES

Specifications

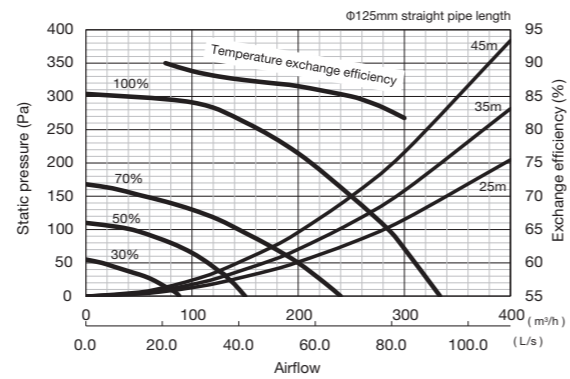
VL-250CZPVU-R/L-E

Electrical Power Supply	220-240V/50Hz, 220V-/60Hz				
Ventilation Mode	Heat recovery mode				
Fan Speed	FS4 (100%)	FS3 (70%)	FS2 (50%)	FS1 (30%)	
Running Current (A)	0.76	0.35	0.20	0.12	
Input Power (W)	106	44	23	11	
Airflow	(m ³ /h)	250	175	125	75
	(L/s)	69	49	35	21
External Static Pressure (Pa)	150	74	38	14	
Temperature Exchange Efficiency (%)	85	87	88	90	
Noise Level (dB)	31	22	16	15 >	
Energy Efficiency Class	A+				
Weight (kg)	26				
Dimensions (mm)	(H) 565 x (W) 595 x (D) 356				

Attention

- The above values are at factory default.
- The running current, the input power, the efficiency and the noise are based on the rating airflow, and 230V/50Hz.
- The sound pressure level at 3m is spherical.
- Temperature exchange efficiency (%) is based on winter condition.
- Mitsubishi Electric measures figures in the chart according to EN13141-7: 2010, and the characteristic curves are measured by chamber method.

Characteristic Curves



Attention

Mitsubishi Electric measures figures in the chart according to EN13141-7: 2010, and the characteristic curves are measured by chamber method.

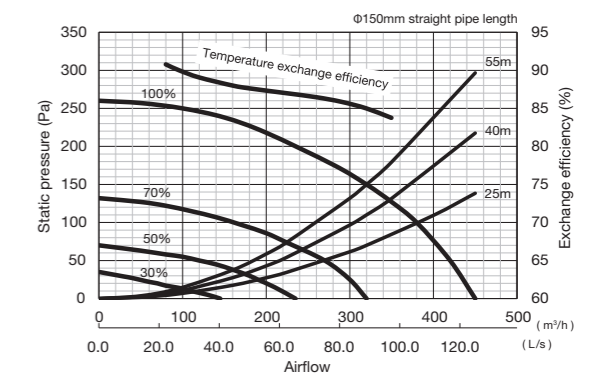
VL-350CZPVU-R/L-E

Electrical Power Supply	220-240V/50Hz, 220V-/60Hz				
Ventilation Mode	Heat recovery mode				
Fan Speed	FS4 (100%)	FS3 (70%)	FS2 (50%)	FS1 (30%)	
Running Current (A)	1.08	0.52	0.31	0.18	
Input Power (W)	155	71	37	19	
Airflow	(m ³ /h)	320	224	160	96
	(L/s)	89	62	44	27
External Static Pressure (Pa)	150	74	38	14	
Temperature Exchange Efficiency (%)	85	87	88	90	
Noise Level (dB)	35	26	19	15 >	
Energy Efficiency Class	A+				
Weight (kg)	32				
Dimensions (mm)	(H) 623 x (W) 658 x (D) 432				

Attention

- The above values are at factory default.
- The running current, the input power, the efficiency and the noise are based on the rating airflow, and 230V/50Hz.
- The sound pressure level at 3m is spherical.
- Temperature exchange efficiency (%) is based on winter condition.
- Mitsubishi Electric measures figures in the chart according to EN13141-7: 2010, and the characteristic curves are measured by chamber method.

Characteristic Curves

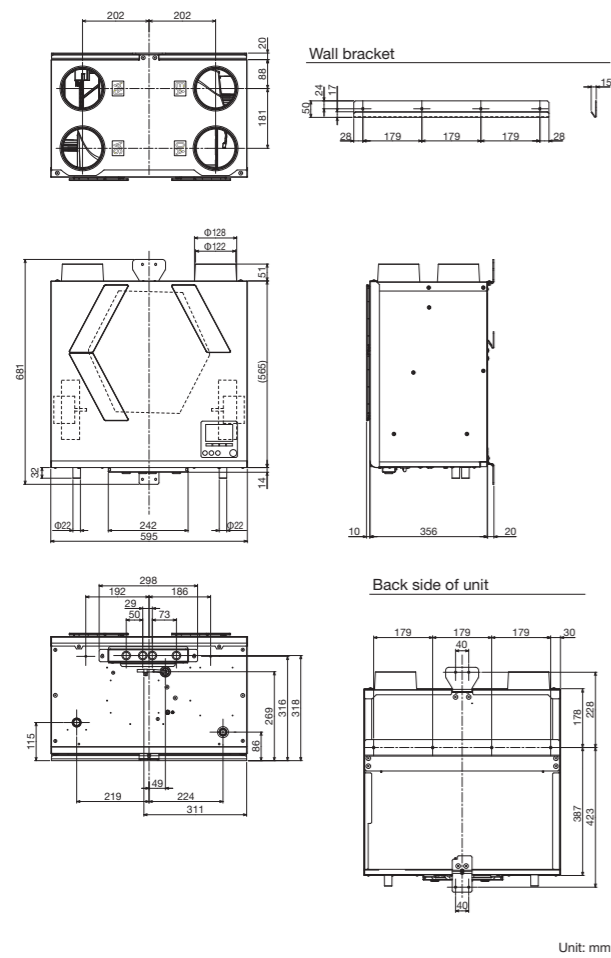


Attention

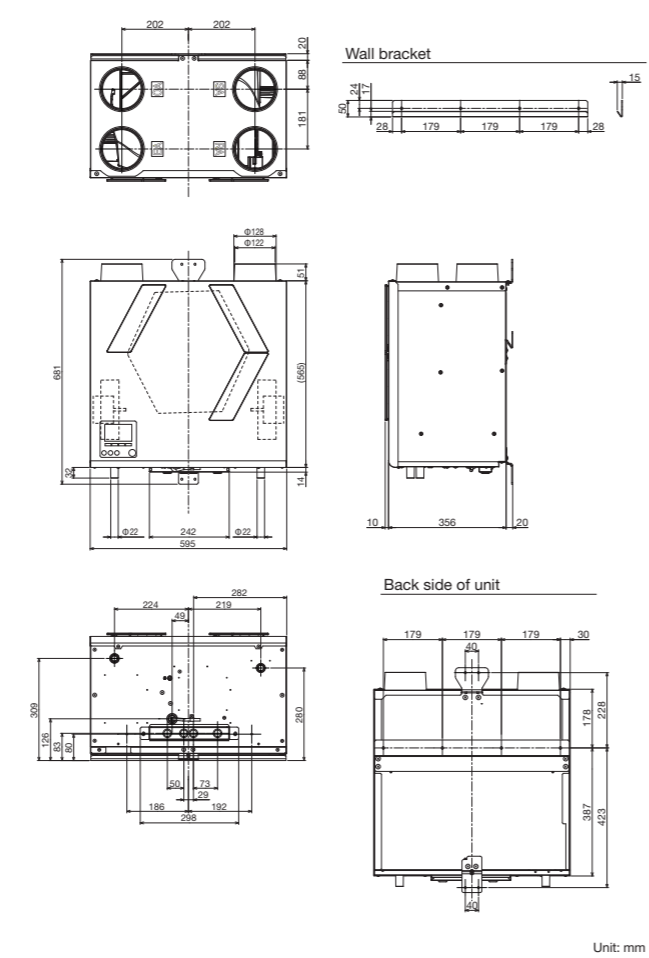
Mitsubishi Electric measures figures in the chart according to EN13141-7: 2010, and the characteristic curves are measured by chamber method.

Dimensions

VL-250CZPVU-R-E

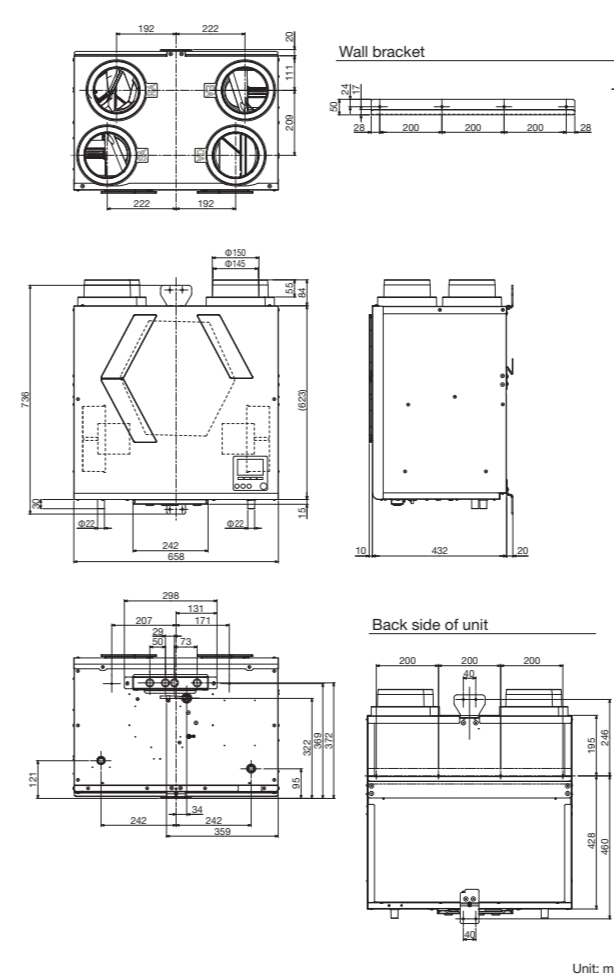


VL-250CZPVU-L-E

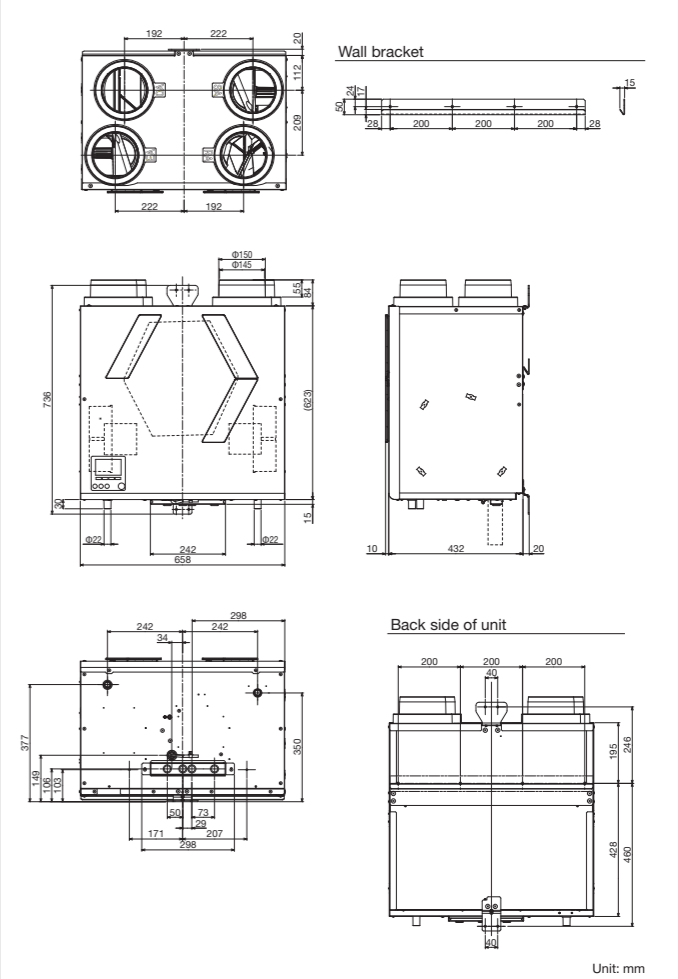


Dimensions

VL-350CZPVU-R-E



VL-350CZPVU-L-E



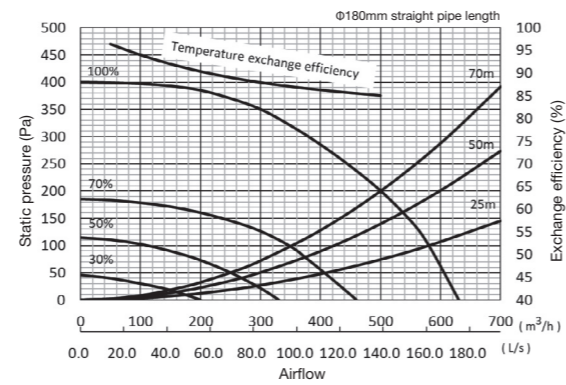
VL-500CZPVU-R/L-E

Electrical Power Supply	220-240V/50Hz, 220V-/60Hz				
Ventilation Mode	Heat recovery mode				
Fan Speed	FS4 (100%)	FS3 (70%)	FS2 (50%)	FS1 (30%)	
Running Current (A)	1.73	0.77	0.40	0.19	
Input Power (W)	275	104	49	21	
Airflow	(m³/h)	500	350	250	150
	(L/s)	139	97	69	42
External Static Pressure (Pa)	200	98	50	18	
Temperature Exchange Efficiency (%)	85	87	89	92	
Noise Level (dB)	37	29	22	15>	
Energy Efficiency Class	A+				
Weight (kg)	39				
Dimensions (mm)	(H) 632 x (W) 725 x (D) 556				

Attention

- The above values are at factory default.
- The running current, the input power, the efficiency and the noise are based on the rating airflow, and 230V/50Hz.
- The sound pressure level at 3m is spherical.
- Temperature exchange efficiency (%) is based on winter condition.
- Mitsubishi Electric measures figures in the chart according to EN13141-7: 2010, and the characteristic curves are measured by chamber method.

Characteristic Curves



Attention

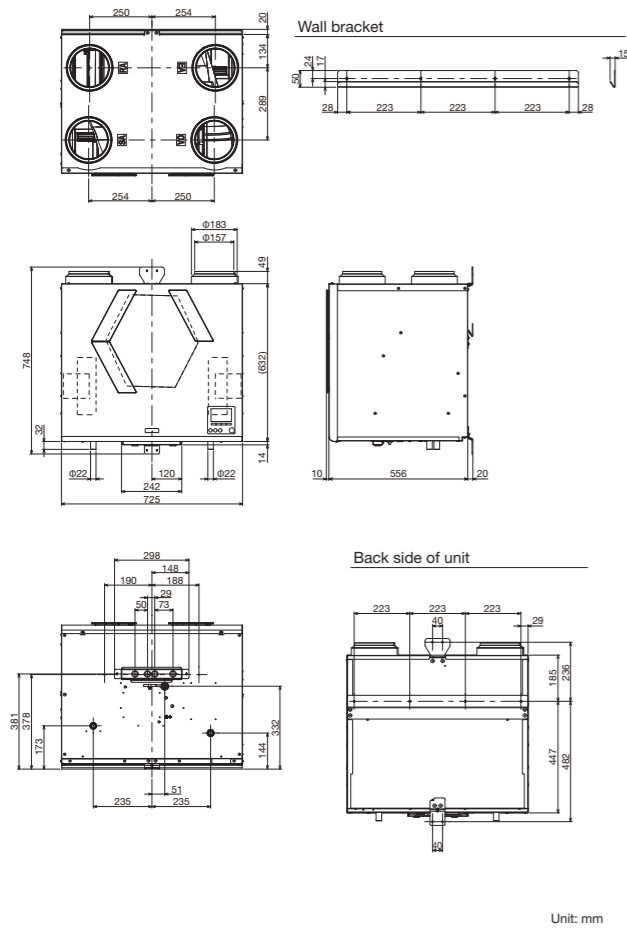
Mitsubishi Electric measures figures in the chart according to EN13141-7: 2010, and the characteristic curves are measured by chamber method.

Filters

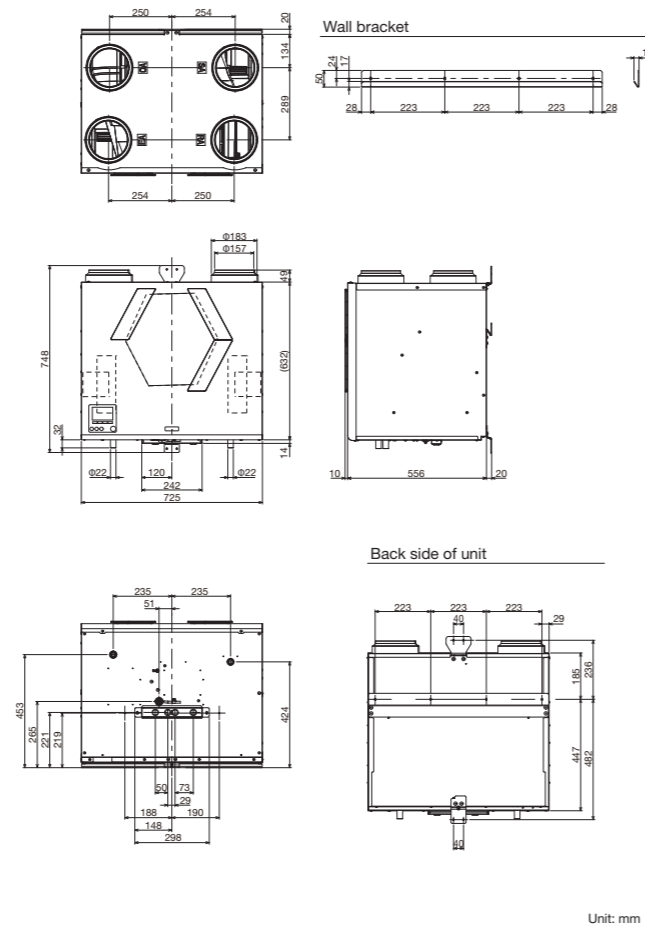
Type	Replacement Filter	Standard Filter	Medium Efficiency Filter	Advanced Efficiency Filter	Advanced High Efficiency Filter	NOx Filter
Model	P-250F-E P-350F-E P-500F-E	P-250SF-E P-350SF-E P-500SF-E	P-250MF-E P-350MF-E P-500MF-E	P-250PF-E P-350PF-E P-500PF-E	P-250PFH-E P-350PFH-E P-500PFH-E	P-250NF-E P-350NF-E P-500NF-E
Classification	EN779 (2012) ISO 16890 (2016)	G3 Coarse 55%	G4 Coarse 90%	M6 ePM10 80% ePM2.5 50%	M6 ePM1 55%	NO _x 90%

Dimensions

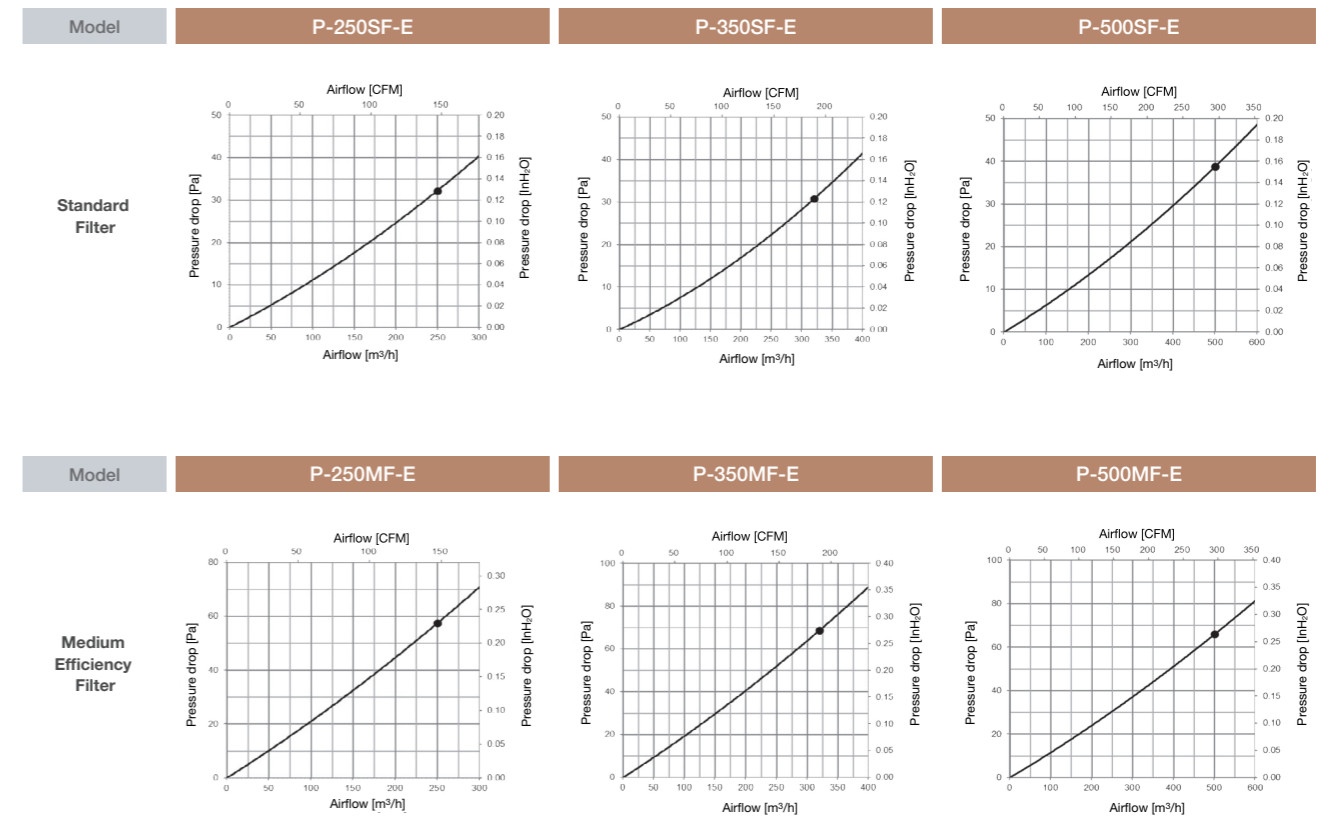
VL-500CZPVU-R-E



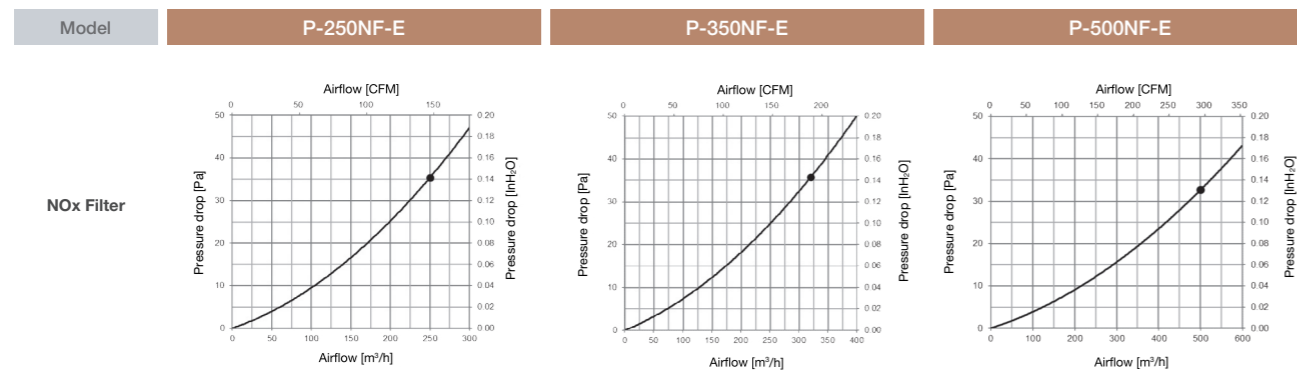
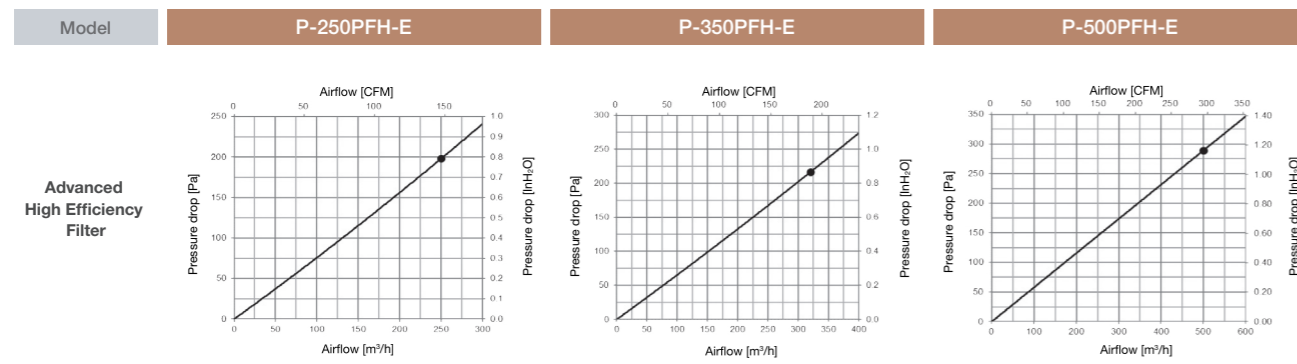
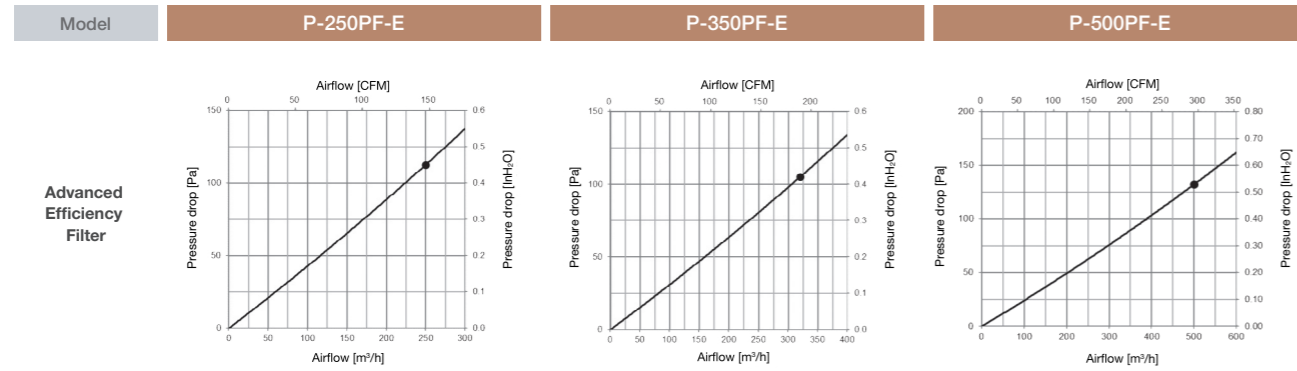
VL-500CZPVU-L-E



Pressure loss characteristics



Pressure loss characteristics



Silencer Box

P-250/350/500SB-E

Noise level can be further decreased by using a silencer box.



Model P-250SB-E

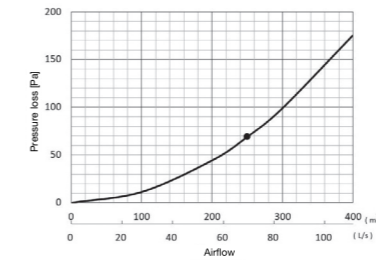
Attenuation of sound power level for center frequency

Airflow (m³/h)	Static pressure (Pa)	Point	Attenuation of sound power level for center frequency Hz (dB)							
			63	125	250	500	1000	2000	4000	8000
175	74	Outlet (SA/EA)	9	7	11	19	29	28	21	13

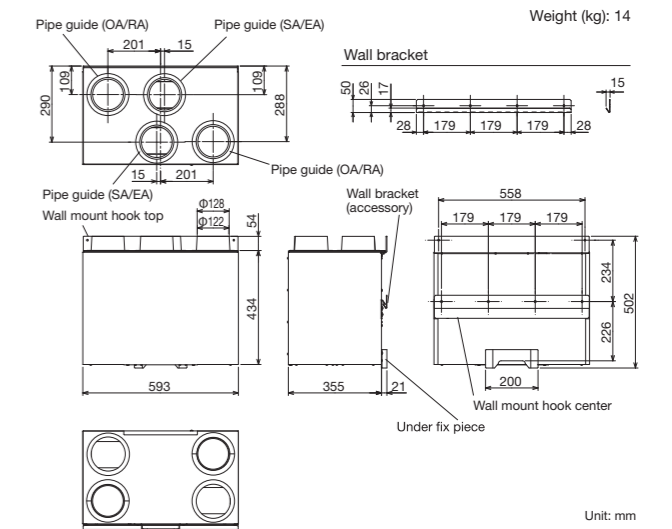
- Figures in the chart above are measured by Mitsubishi Electric.
- The silencer box is placed just after the outlet of the Lossnay unit as specified in the Installation Manual.
- When airflow differs, attenuation may also differ from the chart above.

Pressure loss curve

The curve on the right shows the total pressure drop of the OA and SA or RA and EA ducts in the silencer box.



Dimensions



Model P-350SB-E

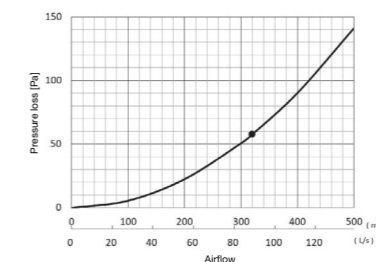
Attenuation of sound power level for center frequency

Airflow (m³/h)	Static pressure (Pa)	Point	Attenuation of sound power level for center frequency Hz (dB)							
			63	125	250	500	1000	2000	4000	8000
224	74	Outlet (SA/EA)	12	8	11	21	32	29	19	12

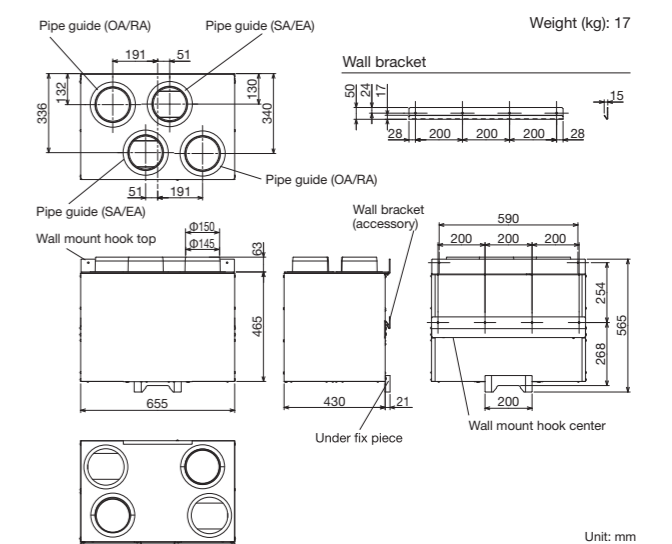
- Figures in the chart above are measured by Mitsubishi Electric.
- The silencer box is placed just after the outlet of the Lossnay unit as specified in the Installation Manual.
- When airflow differs, attenuation may also differ from the chart above.

Pressure loss curve

The curve on the right shows the total pressure drop of the OA and SA or RA and EA ducts in the silencer box.



Dimensions



Model P-500SB-E

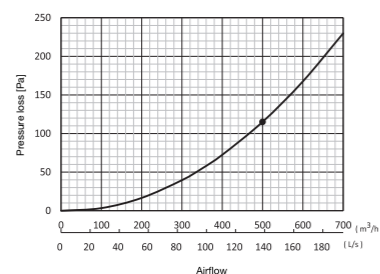
■ Attenuation of sound power level for center frequency

Airflow (m ³ /h)	Static pressure (Pa)	Point	Attenuation of sound power level for center frequency Hz (dB)							
			63	125	250	500	1000	2000	4000	8000
350	98	Outlet (SA/EA)	10.5	9.5	13.0	21.0	27.0	29.0	26.0	14.0

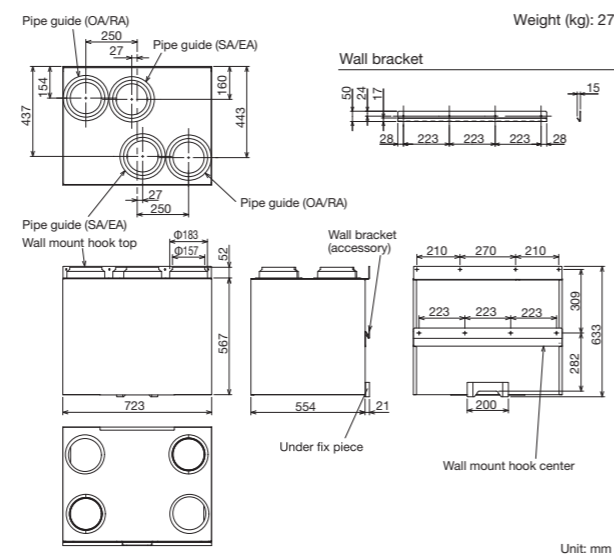
- Figures on the chart above are measured by Mitsubishi Electric.
- The silencer box is placed on the just after the outlet of the Lossnay unit as specified in the Installation Manual.
- When the airflow differs, the attenuation may be also different from the chart above.

■ Pressure loss curve

The curve on the right shows the total pressure drop of the OA and SA or RA and EA ducts in the silencer box.



■ Dimensions

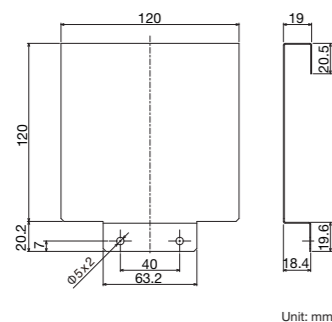


Remote Controller Cover

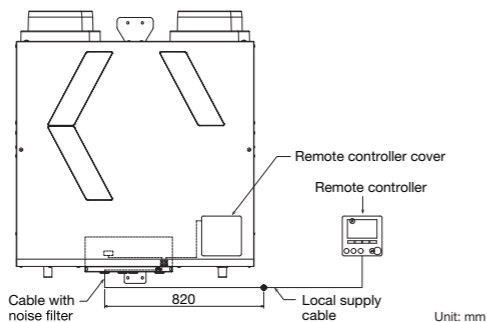
P-RCC-E

By attaching a Remote Controller Cover, the remote controller can be installed at a distance from the unit.

■ Dimensions



■ Configuration



Remote Controller Cover



Cable with Noise Filter
(Cable length outside the product: Approximately 820 mm)

**VL-50(E)S₂-E, VL-50SR₂-E
VL-100(E)U₅-E**

Wall mounted models. Particularly suitable for houses and small offices.



VL-50(E)S₂-E
VL-50SR₂-E



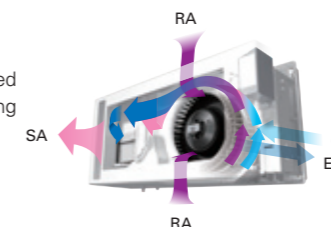
VL-100(E)U₅-E

Decentralized ventilation: VL-50(E)S₂-E, VL-50SR₂-E and VL-100(E)U₅-E

Product advantages

Air supplied and Exhausted Simultaneously

Air is supplied and exhausted simultaneously while transferring the heat.

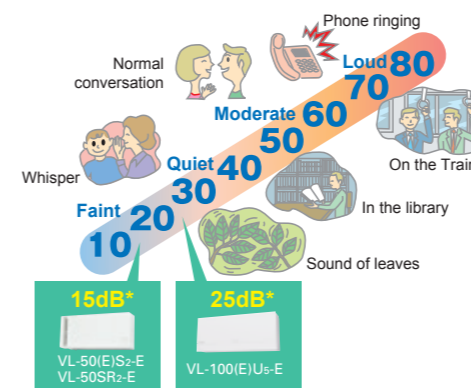


Energy Efficient

- Total heat exchange minimizes heat loss.
- Achieve over 80%* temperature efficiency.

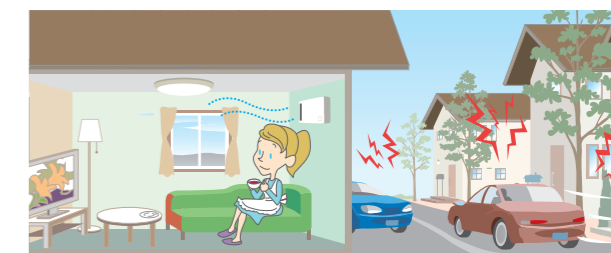
*VL-100(E)U₅-E at low fan speed in 230V 50Hz
*VL-50(E)S₂-E at low fan speed in 230V 50Hz

Low noise levels are ideal for bedrooms and children's rooms.



Sound Insulation

A sound insulation effect reduces the level of noise generated outside.

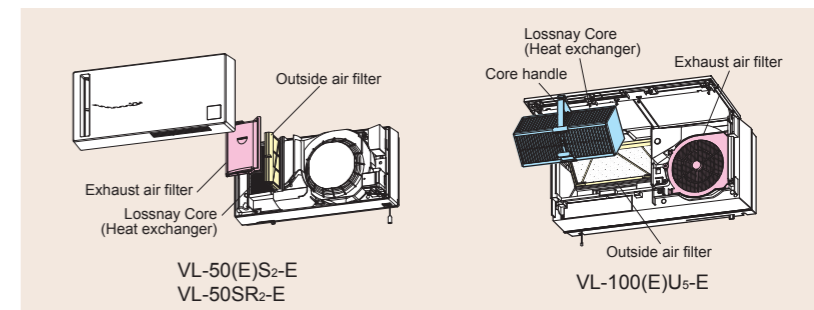


Sound Insulation Effect	Sound Source Side Average sound pressure dB	Sound Receiving Side Average sound pressure dB	Difference
	103.4	63.2	40.2

*Tested based on VL-08S₂-AE
*Measured by average sound pressure level of more than 30dB in 500Hz according to JIS A1416.
VL-08S₂-AE is a Japanese dedicated model equivalent to VL-50(E)S₂-E

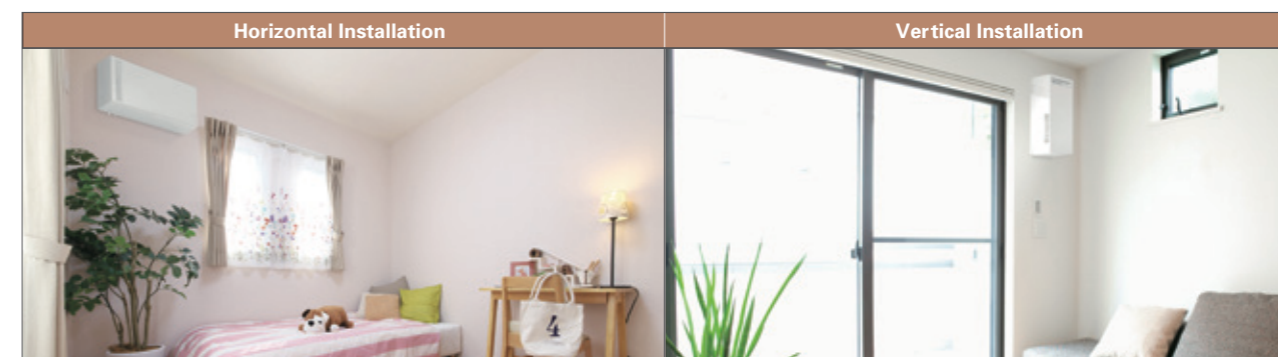
Easy Maintenance

The only maintenance required is cleaning the outside-air filter and exhaust-air filter. Filters are easily accessible, making quick and thorough cleaning possible.



Flexible Installation for Only VL-50(E)S₂-E and VL-50SR₂-E

Both horizontal and vertical installations are possible to fit various types of rooms.



Horizontal Installation

Vertical Installation